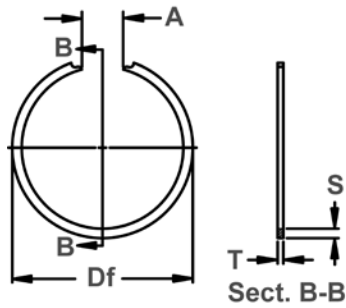


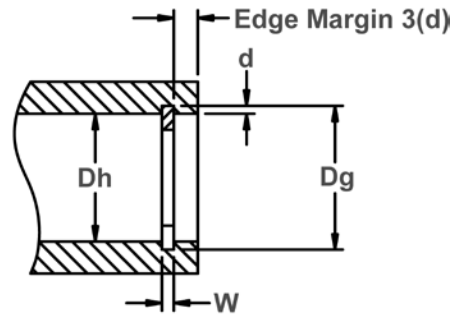
# UHB 同心型止め輪

## 穴用 同心型止め輪 (インチ)

穴に加工した溝に嵌め込み  
溝からはみ出ている部分が受けとして働き  
部品を固定。



自由径 & 止め輪寸法  
切断面 B-B



穴径 & 溝寸法

原材料: SAE 1060-1075

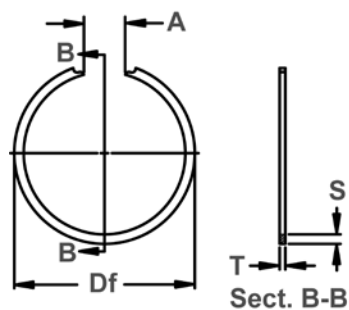
| 止め輪<br>番号 | 穴径        |              |          | 溝寸法   |          |               | 止め輪寸法  |        |        |               |          |          | 許容<br>静止時<br>荷重<br>(Lbs.) |                |      |      |
|-----------|-----------|--------------|----------|-------|----------|---------------|--------|--------|--------|---------------|----------|----------|---------------------------|----------------|------|------|
|           |           |              |          | 溝径    |          | 溝巾            | 深さ     | 自由径    |        | 板厚            |          | 板幅       |                           | 自由<br>間隙径<br>A |      |      |
|           | Dh<br>DEC | Dh<br>FRACT. | Dh<br>mm | Dg    | 公差       | W             | d      | Df     | 公差     | T<br>+/- .002 | S        | 公差       |                           | 最小             | 最大   |      |
| UHB-37    | .375      | 3/8          | 9.5      | 0.395 | +/- .003 | .028          | .010   | 0.400  | + .031 | .025          | .035     | +/- .003 | .125                      | .218           | 250  |      |
| UHB-43    | .438      | 7/16         | 11.1     | 0.462 |          | + .003 - .000 | .012   | 0.467  | - .000 | .025          | .035     |          | .125                      | .218           | 300  |      |
| UHB-50    | .500      | 1/2          | 12.7     | 0.524 |          | .039          | .012   | 0.530  | + .025 | .035          | .040     |          | .187                      | .344           | 470  |      |
| UHB-51    | .512      |              | 13.0     | 0.536 |          | + .003        | .012   | 0.542  |        | .035          | .040     |          | .187                      | .344           | 480  |      |
| UHB-56    | .562      | 9/16         | 14.3     | 0.590 |          | - .000        | .014   | 0.600  | - .000 | .035          | .048     |          | .187                      | .344           | 510  |      |
| UHB-62    | .625      | 5/8          | 15.9     | 0.657 |          | .016          | 0.670  | .035   |        | .048          | .187     |          | .344                      | 620            |      |      |
| UHB-68    | .688      | 11/16        | 17.5     | 0.720 |          | .016          | 0.733  | + .025 | .035   | .048          | .187     |          | .344                      | 700            |      |      |
| UHB-75    | .750      | 3/4          | 19.1     | 0.786 |          | .018          | 0.799  |        | .035   | .048          | .187     |          | .344                      | 750            |      |      |
| UHB-77    | .777      |              | 19.7     | 0.813 |          | .018          | 0.827  | + .025 | .042   | .062          | +/- .003 |          | .187                      | .344           | 1020 |      |
| UHB-81    | .812      | 13/16        | 20.6     | 0.852 |          | .020          | 0.867  |        | .042   | .062          |          |          | .187                      | .344           | 1090 |      |
| UHB-87    | .875      | 7/8          | 22.2     | 0.919 | +/- .005 | .046          | .022   | 0.934  | + .031 | .042          | .062     | +/- .005 | .281                      | .438           | 1130 |      |
| UHB-90    | .901      |              | 22.9     | 0.945 |          | + .003        | .022   | 0.961  |        | .042          | .078     |          | .281                      | .438           | 1260 |      |
| UHB-93    | .938      | 15/16        | 23.8     | 0.986 |          | - .000        | .024   | 1.003  |        | .042          | .078     |          | .281                      | .438           | 1360 |      |
| UHB-100   | 1.000     | 1            | 25.4     | 1.052 |          | .024          | 1.070  | + .031 |        | .042          | .078     |          | .281                      | .438           | 1470 |      |
| UHB-102   | 1.023     |              | 26.0     | 1.075 |          | .026          | 1.094  |        |        | .042          | .093     |          | .281                      | .438           | 1500 |      |
| UHB-106   | 1.062     | 1-1/16       | 27.0     | 1.114 |          | .026          | 1.134  | - .000 |        | .050          | .093     |          | .281                      | .438           | 1780 |      |
| UHB-112   | 1.125     | 1-1/8        | 28.6     | 1.181 |          | .028          | 1.202  |        |        | .050          | .093     |          | .375                      | .562           | 1880 |      |
| UHB-118   | 1.188     | 1-3/16       | 30.2     | 1.248 |          | .030          | 1.270  | + .046 |        | .050          | .109     |          | +/- .005                  | .375           | .562 | 1990 |
| UHB-125   | 1.250     | 1-1/4        | 31.8     | 1.314 |          | .032          | 1.337  |        |        | .050          | .109     |          |                           | .375           | .562 | 2090 |
| UHB-131   | 1.312     | 1-5/16       | 33.3     | 1.380 |          | .034          | 1.404  | - .000 |        | .050          | .109     |          | .375                      | .562           | 2200 |      |
| UHB-137   | 1.375     | 1-3/8        | 34.9     | 1.447 | .056     | .036          | 1.472  |        | .050   | .109          | .375     | .562     | 2300                      |                |      |      |
| UHB-143   | 1.438     | 1-7/16       | 36.5     | 1.510 | + .003   | .036          | 1.535  | .050   | .125   | .375          | .562     | 2460     |                           |                |      |      |
| UHB-145   | 1.456     | -            | 36.1     | 1.532 | - .000   | .038          | 1.557  | .050   | .125   | .375          | .562     | 2490     |                           |                |      |      |
| UHB-150   | 1.500     | 1-1/2        | 38.1     | 1.576 | .038     | 1.607         | + .046 | .050   | .125   | +/- .005      | .375     | .562     | 2560                      |                |      |      |
| UHB-156   | 1.562     | 1-9/16       | 39.7     | 1.642 | .040     | 1.668         |        | .062   | .125   |               | .437     | .687     | 3060                      |                |      |      |
| UHB-162   | 1.625     | 1-5/8        | 41.3     | 1.709 | .042     | 1.736         | - .000 | .062   | .141   | .437          | .687     | 3190     |                           |                |      |      |
| UHB-165   | 1.653     | -            | 42.0     | 1.737 | .042     | 1.765         |        | .062   | .141   | .437          | .687     | 3240     |                           |                |      |      |
| UHB-168   | 1.688     | 1-11/16      | 42.9     | 1.776 | .068     | .044          | 1.804  | .062   | .156   | .437          | .687     | 3370     |                           |                |      |      |
| UHB-175   | 1.750     | 1-3/4        | 44.4     | 1.842 | + .004   | .046          | 1.870  | .062   | .156   | .437          | .687     | 3510     |                           |                |      |      |
| UHB-181   | 1.812     | 1-13/16      | 46.0     | 1.904 | - .000   | .046          | 1.933  | .062   | .156   | .437          | .687     | 3640     |                           |                |      |      |
| UHB-185   | 1.850     | -            | 47.0     | 1.946 | .048     | 1.975         | + .046 | .062   | .156   | +/- .005      | .437     | .687     | 3710                      |                |      |      |
| UHB-187   | 1.875     | 1-7/8        | 47.6     | 1.971 | .048     | 2.000         |        | .062   | .156   |               | .437     | .687     | 3760                      |                |      |      |

単位: inch

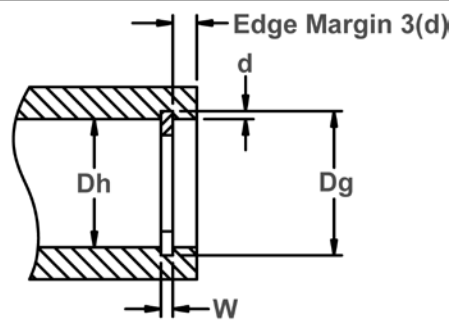
硬さ: 全サイズ: HRC 42 ~ 52

その他の先端部形状をご希望の場合は、japan@rotorclip.comまでお問い合わせ下さい。





自由径 & 止め輪寸法  
切断面 B-B



穴径 & 溝寸法

原材料: SAE 1060-1075

| 止め輪<br>番号 | 穴径        |              |          | 溝寸法   |                        |                        | 止め輪寸法 |       |                 |               |       | 許容<br>静止時<br>荷重<br>(Lbs.) |                |      |      |
|-----------|-----------|--------------|----------|-------|------------------------|------------------------|-------|-------|-----------------|---------------|-------|---------------------------|----------------|------|------|
|           |           |              |          | 溝径    |                        | 溝巾                     | 深さ    | 自由径   |                 | 板厚            | 板幅    |                           | 自由<br>間隙径<br>A |      |      |
|           | Dh<br>DEC | Dh<br>FRACT. | Dh<br>mm | Dg    | 公差                     | W                      | d     | Df    | 公差              | T<br>+/- .002 | S     |                           | 公差             | 最小   | 最大   |
| UHB-193   | 1.938     | 1-15/16      | 49.2     | 2.038 | +/- .005               | .068                   | .050  | 2.068 | + .046<br>-.000 | .062          | .156  | +/- .005                  | .500           | .750 | 3870 |
| UHB-196   | 1.968     | 1-31/32      | 50.0     | 2.068 |                        | .050                   | 2.098 | .062  |                 | .156          | .500  |                           | .750           | 3935 |      |
| UHB-200   | 2.000     | 2            | 50.8     | 2.100 |                        | .050                   | 2.131 | .062  |                 | .156          | .500  |                           | .750           | 4000 |      |
| UHB-206   | 2.062     | 2-1/16       | 52.4     | 2.166 | +/- .006               | .086<br>+.005<br>-.000 | .052  | 2.197 | + .046<br>-.000 | .062          | .156  | +/- .005                  | .500           | .750 | 4380 |
| UHB-212   | 2.125     | 2-1/8        | 54.0     | 2.229 |                        |                        | .052  | 2.260 |                 | .078          | .156  |                           | .500           | .750 | 5140 |
| UHB-218   | 2.188     | 2-3/16       | 55.6     | 2.296 |                        |                        | .054  | 2.331 |                 | .078          | .171  |                           | .500           | .750 | 5470 |
| UHB-225   | 2.250     | 2-1/4        | 57.1     | 2.358 |                        |                        | .054  | 2.393 |                 | .078          | .171  |                           | .500           | .750 | 5630 |
| UHB-231   | 2.312     | 2-5/16       | 58.7     | 2.424 |                        |                        | .056  | 2.459 |                 | .078          | .171  |                           | .500           | .750 | 5790 |
| UHB-237   | 2.375     | 2-3/8        | 60.3     | 2.487 |                        |                        | .056  | 2.523 |                 | .078          | .171  |                           | .500           | .750 | 5950 |
| UHB-244   | 2.440     | 2-7/16       | 62.0     | 2.556 |                        |                        | .058  | 2.592 |                 | .078          | .187  |                           | .500           | .750 | 6270 |
| UHB-250   | 2.500     | 2-1/2        | 63.5     | 2.616 |                        |                        | .058  | 2.653 |                 | .078          | .187  |                           | .500           | .750 | 6350 |
| UHB-253   | 2.531     | 2-17/32      | 64.3     | 2.651 |                        |                        | .060  | 2.688 |                 | .078          | .187  |                           | .500           | .750 | 6510 |
| UHB-256   | 2.562     | 2-9/16       | 65.1     | 2.686 |                        |                        | .062  | 2.726 |                 | .093          | .187  |                           | .562           | .812 | 8400 |
| UHB-262   | 2.625     | 2-5/8        | 66.7     | 2.750 | .062                   | 2.790                  | .093  | .187  | .562            | .812          | 8650  |                           |                |      |      |
| UHB-268   | 2.688     | 2-11/16      | 68.3     | 2.816 | .062                   | 2.856                  | .093  | .187  | .562            | .812          | 8800  |                           |                |      |      |
| UHB-271   | 2.717     | -            | 68.8     | 2.842 | .103<br>+.005<br>-.000 | .064                   | 2.882 | .093  | .187            | .562          | .812  | 8875                      |                |      |      |
| UHB-275   | 2.750     | 2-3/4        | 69.8     | 2.878 |                        | .064                   | 2.918 | .093  | .187            | .562          | .812  | 8950                      |                |      |      |
| UHB-281   | 2.812     | 2-13/16      | 71.4     | 2.945 |                        | .066                   | 2.985 | .093  | .187            | .625          | .875  | 9100                      |                |      |      |
| UHB-283   | 2.835     | -            | 72.0     | 2.966 |                        | .066                   | 3.006 | .093  | .187            | .625          | .875  | 9250                      |                |      |      |
| UHB-287   | 2.875     | 2-7/8        | 73.0     | 3.011 | +/- .006               | .068                   | 3.056 | .093  | .187            | .625          | .875  | 9400                      |                |      |      |
| UHB-300   | 3.000     | 3            | 76.2     | 3.136 |                        | .068                   | 3.181 | .093  | .187            | .625          | .875  | 9550                      |                |      |      |
| UHB-306   | 3.062     | 3-1/16       | 77.8     | 3.202 |                        | .070                   | 3.247 | .109  | .218            | .625          | .875  | 10470                     |                |      |      |
| UHB-312   | 3.125     | 3-1/8        | 79.4     | 3.265 |                        | .070                   | 3.311 | .109  | .218            | .625          | .875  | 10690                     |                |      |      |
| UHB-315   | 3.156     | 3-5/32       | 80.2     | 3.296 |                        | .070                   | 3.342 | .109  | .218            | .625          | .875  | 10800                     |                |      |      |
| UHB-325   | 3.250     | 3-1/4        | 82.5     | 3.394 |                        | .072                   | 3.442 | .109  | .218            | .718          | 1.062 | 11120                     |                |      |      |
| UHB-334   | 3.346     | 3-11/32      | 85.0     | 3.490 |                        | .072                   | 3.539 | .109  | .218            | .718          | 1.062 | 11450                     |                |      |      |
| UHB-346   | 3.469     | 3-15/32      | 88.1     | 3.613 |                        | .072                   | 3.663 | .109  | .218            | .718          | 1.062 | 11870                     |                |      |      |
| UHB-350   | 3.500     | 3-1/2        | 88.9     | 3.648 |                        | .074                   | 3.700 | .109  | .250            | .718          | 1.062 | 11970                     |                |      |      |
| UHB-354   | 3.543     | -            | 90.0     | 3.691 |                        | .074                   | 3.745 | .109  | .250            | .718          | 1.062 | 12120                     |                |      |      |
| UHB-356   | 3.562     | 3-9/16       | 90.5     | 3.710 | .074                   | 3.766                  | .109  | .250  | .718            | 1.062         | 12190 |                           |                |      |      |
| UHB-362   | 3.625     | 3-5/8        | 92.1     | 3.773 | .074                   | 3.831                  | .109  | .250  | .718            | 1.062         | 12380 |                           |                |      |      |
| UHB-375   | 3.750     | 3-3/4        | 95.2     | 3.902 | .076                   | 3.962                  | .109  | .250  | .718            | 1.062         | 12600 |                           |                |      |      |

単位: inch

硬さ: 全サイズ: HRC 42 ~ 52

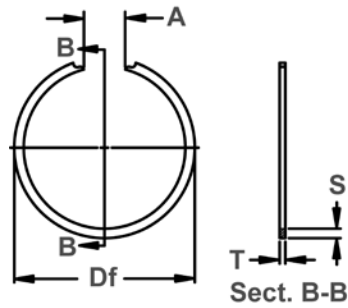
その他の先端部形状をご希望の場合は、japan@rotorclip.comまでお問い合わせ下さい。



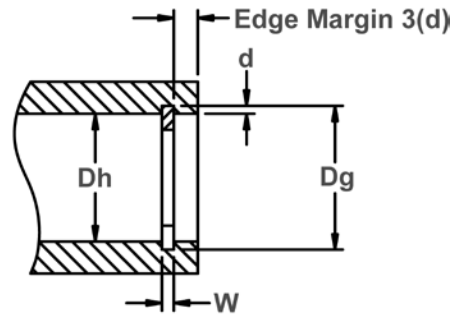
# UHB 同心型止め輪

## 穴用 同心型止め輪 (インチ)

穴に加工した溝に嵌め込み  
溝からはみ出ている部分が受けとして働き  
部品を固定。



自由径 & 止め輪寸法  
切断面 B-B



穴径 & 溝径

原材料: SAE 1060-1075

| 止め輪<br>番号 | 穴径        |              |          | 溝寸法    |          |                        | 止め輪寸法    |                        |                |                |               |                | 許容<br>静止時<br>荷重<br>(Lbs.) |                |       |          |       |       |       |
|-----------|-----------|--------------|----------|--------|----------|------------------------|----------|------------------------|----------------|----------------|---------------|----------------|---------------------------|----------------|-------|----------|-------|-------|-------|
|           |           |              |          | 溝径     |          | 溝巾                     | 深さ       | 自由径                    |                | 板厚             |               | 板幅             |                           | 自由<br>間隙径<br>A |       |          |       |       |       |
|           | Dh<br>DEC | Dh<br>FRACT. | Dh<br>mm | Dg     | 公差       | W                      |          | d                      | Df             | 公差             | T<br>+/- .002 | S              |                           | 公差             | 最小    | 最大       |       |       |       |
|           |           |              |          |        |          |                        |          |                        |                |                |               |                |                           |                |       |          |       |       |       |
| UHB-387   | 3.875     | 3-7/8        | 98.4     | 4.027  | +/- .006 | .120<br>+.006<br>-.000 | .076     | 4.089                  | +.078          | .109           | .250          | +/- .005       | .718                      | 1.062          | 12820 |          |       |       |       |
| UHB-393   | 3.938     | 3-15/16      | 100.0    | 4.094  |          |                        | .078     | 4.156                  | -.000          | .109           | .250          |                | .718                      | 1.062          | 13230 |          |       |       |       |
| UHB-400   | 4.000     | 4            | 101.6    | 4.156  |          |                        | .078     | 4.221                  | +.093<br>-.000 | .109           | .250          |                | .875                      | 1.312          | 13690 |          |       |       |       |
| UHB-412   | 4.125     | 4-1/8        | 104.8    | 4.285  |          |                        | .080     | 4.355                  |                | .109           | .250          |                | .875                      | 1.312          | 14110 |          |       |       |       |
| UHB-425   | 4.250     | 4-1/4        | 108.0    | 4.410  |          |                        | .080     | 4.485                  |                | .109           | .250          |                | .875                      | 1.312          | 14540 |          |       |       |       |
| UHB-433   | 4.331     | -            | 110.0    | 4.490  |          |                        | .080     | 4.565                  |                | .109           | .250          |                | .875                      | 1.312          | 14960 |          |       |       |       |
| UHB-443   | 4.436     | 4-7/16       | 112.7    | 4.596  |          |                        | .080     | 4.670                  |                | .109           | .250          |                | .875                      | 1.312          | 15170 |          |       |       |       |
| UHB-450   | 4.500     | 4-1/2        | 114.3    | 4.664  |          |                        | .082     | 4.744                  |                | .109           | .250          |                | .875                      | 1.312          | 15390 |          |       |       |       |
| UHB-462   | 4.625     | 4-5/8        | 117.5    | 4.795  |          |                        | .085     | 4.875                  |                | .109           | .250          |                | .875                      | 1.312          | 15830 |          |       |       |       |
| UHB-475   | 4.750     | 4-3/4        | 120.6    | 4.926  |          |                        | .088     | 5.011                  |                | .109           | .281          |                | .875                      | 1.312          | 16250 |          |       |       |       |
| UHB-500   | 5.000     | 5            | 127.0    | 5.180  | .090     | 5.265                  | .109     | .281                   |                | .875           | 1.312         | 17110          |                           |                |       |          |       |       |       |
| UHB-525   | 5.250     | 5-1/4        | 133.3    | 5.435  | +/- .007 | .139<br>+.006<br>-.000 | .092     | 5.530                  |                | +.125<br>-.000 | .125          | .312           | +/- .005                  | 1.000          | 1.500 | 20590    |       |       |       |
| UHB-537   | 5.375     | 5-3/8        | 136.5    | 5.565  |          |                        | .095     | 5.660                  | .125           |                | .312          | 1.000          |                           | 1.500          | 21110 |          |       |       |       |
| UHB-550   | 5.500     | 5-1/2        | 139.7    | 5.696  |          |                        | .098     | 5.796                  | .125           |                | .312          | 1.000          |                           | 1.500          | 21790 |          |       |       |       |
| UHB-575   | 5.750     | 5-3/4        | 146.0    | 5.950  |          |                        | .100     | 6.050                  | .125           |                | .312          | 1.000          |                           | 1.500          | 22570 |          |       |       |       |
| UHB-600   | 6.000     | 6            | 152.4    | 6.204  |          |                        | .102     | 6.309                  | .125           |                | .312          | 1.000          |                           | 1.500          | 23550 |          |       |       |       |
| UHB-625   | 6.250     | 6-1/4        | 158.7    | 6.458  |          |                        | +/- .008 | .174<br>+.006<br>-.000 | .104           |                | 6.568         | +.156<br>-.000 |                           | .156           | .343  | +/- .005 | 1.000 | 1.500 | 29420 |
| UHB-650   | 6.500     | 6-1/2        | 165.1    | 6.712  |          |                        |          |                        | .106           |                | 6.832         |                |                           | .156           | .343  |          | 1.125 | 1.812 | 30610 |
| UHB-662   | 6.625     | 6-5/8        | 168.3    | 6.845  |          |                        |          |                        | .110           |                | 6.975         |                |                           | .156           | .343  |          | 1.125 | 1.812 | 31400 |
| UHB-675   | 6.750     | 6-3/4        | 171.4    | 6.970  |          |                        |          |                        | .110           |                | 7.100         |                |                           | .156           | .343  |          | 1.125 | 1.812 | 32640 |
| UHB-700   | 7.000     | 7            | 177.8    | 7.220  |          |                        |          |                        | .110           |                | 7.350         |                |                           | .156           | .343  |          | 1.125 | 1.812 | 34850 |
| UHB-725   | 7.250     | 7-1/4        | 184.1    | 7.500  | .125     | 7.630                  |          |                        | .187           | .375           | 1.375         |                | 2.250                     | 38060          |       |          |       |       |       |
| UHB-750   | 7.500     | 7-1/2        | 190.5    | 7.750  | .125     | 7.890                  |          |                        | .187           | .375           | 1.375         |                | 2.250                     | 39450          |       |          |       |       |       |
| UHB-800   | 8.000     | 8            | 203.2    | 8.250  | .125     | 8.400                  |          |                        | .187           | .375           | 1.375         |                | 2.250                     | 41960          |       |          |       |       |       |
| UHB-825   | 8.250     | 8-1/4        | 209.5    | 8.540  | .145     | 8.665                  |          |                        | .187           | .437           | 1.625         |                | 2.500                     | 43320          |       |          |       |       |       |
| UHB-850   | 8.500     | 8-1/2        | 215.9    | 8.790  | .145     | 8.915                  |          |                        | .187           | .437           | 1.625         |                | 2.500                     | 44710          |       |          |       |       |       |
| UHB-875   | 8.750     | 8-3/4        | 222.2    | 9.080  | .165     | 9.205                  | .187     | .500                   | 1.625          | 2.500          | 48900         |                |                           |                |       |          |       |       |       |
| UHB-900   | 9.000     | 9            | 228.6    | 9.330  | .165     | 9.455                  | .187     | .500                   | 1.625          | 2.500          | 49740         |                |                           |                |       |          |       |       |       |
| UHB-905   | 9.250     | 9-1/4        | 235.0    | 9.384  | .165     | 9.509                  | .187     | .500                   | 1.750          | 2.625          | 50050         |                |                           |                |       |          |       |       |       |
| UHB-950   | 9.500     | 9-1/2        | 241.3    | 9.830  | .165     | 9.955                  | .187     | .500                   | 1.750          | 2.625          | 52520         |                |                           |                |       |          |       |       |       |
| UHB-984   | 9.750     | 9-3/4        | 247.7    | 10.170 | .165     | 10.295                 | .187     | .500                   | 1.750          | 2.625          | 53780         |                |                           |                |       |          |       |       |       |
| UHB-1000  | 10.000    | 10           | 254.0    | 10.330 | .165     | 10.455                 | .187     | .500                   | 1.750          | 2.625          | 55400         |                |                           |                |       |          |       |       |       |

単位: inch

硬さ: 全サイズ: HRC 42 ~ 52

その他の先端部形状をご希望の場合は、japan@rotorclip.comまでお問い合わせ下さい。

