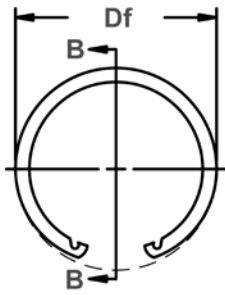


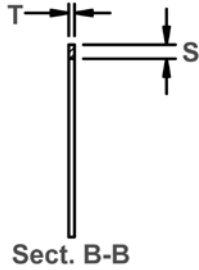


UHO 同心型止め輪

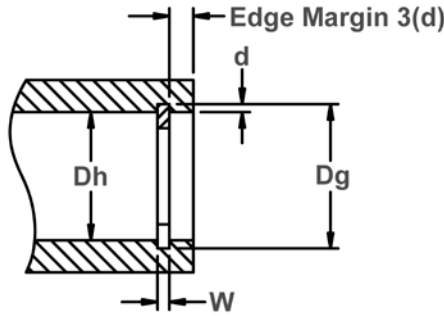
穴用 同心型止め輪 (インチ)
 ノッチ付き
 穴に加工した溝に嵌め込み
 溝からはみ出ている部分が受けとして働き
 部品を固定。



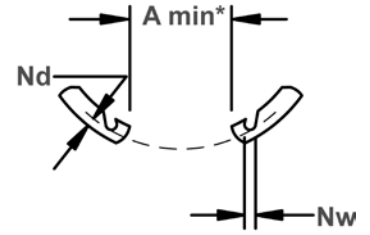
自由径 & 止め輪寸法
 切断面 B-B



Sect. B-B



穴径 & 溝寸法



*溝に装着した状態

原材料: SAE 1060-1075

止め輪 番号	穴径			溝寸法			止め輪寸法					許容 静止時 荷重 (Lbs.)			
				溝径		溝巾 W	深さ d	自由径		板厚 T +/- .002	板幅 S +/- .005		間隙径 A 最小*	ノッチ寸法	
	Dh DEC	Dh FRACT.	Dh mm	Dg	公差			Df	公差					深さ Nd +0/- .030	幅 Nw 参考
UHO-175	1.750	1-3/4	44.4	1.858	+/- .005	.068	.054	1.878	+ .070	.062	.156	.370	.078	.093	4100
UHO-181	1.812	1-13/16	46.0	1.922			.055	1.942		.062	.156	.370	.078	.093	4280
UHO-185	1.850	-	47.0	1.962			.056	1.982		.062	.156	.400	.078	.093	4380
UHO-187	1.875	1-7/8	47.6	1.989	+ .004	.057	.2014	- .000	.062	.156	.400	.078	.093	4650	
UHO-193	1.938	1-15/16	49.2	2.056			.059		2.081	.062	.156	.400	.078	.093	5000
UHO-200	2.000	2	50.8	2.122			.061		2.147	.062	.156	.420	.078	.093	5350
UHO-206	2.047	-	52.0	2.171	+/- .006	.086	.062	2.201	- .000	.078	.171	.420	.085	.093	6490
UHO-206	2.062	2-1/16	52.4	2.186			.062	2.201		.078	.171	.450	.085	.093	6490
UHO-212	2.125	2-1/8	54.0	2.251			.063	2.271		.078	.171	.450	.085	.093	6810
UHO-218	2.165	-	55.0	2.295	+ .005	.069	.2338	- .000	.078	.171	.430	.085	.093	7240	
UHO-218	2.188	2-3/16	55.6	2.318			.065		2.338	.078	.171	.470	.085	.093	7240
UHO-225	2.250	2-1/4	57.1	2.382			.066		2.402	.078	.171	.450	.085	.093	7560
UHO-231	2.312	2-5/16	58.7	2.450	+/- .006	.076	.2470	+ .080	.078	.171	.450	.085	.093	8120	
UHO-237	2.375	2-3/8	60.3	2.517			.071		2.537	.078	.188	.470	.093	.093	8580
UHO-244	2.440	2-7/16	62.0	2.584			.072		2.604	.078	.188	.470	.093	.093	8940
UHO-250	2.500	2-1/2	63.5	2.648	+ .005	.074	.2673	- .000	.078	.188	.470	.093	.093	9410	
UHO-253	2.531	2-17/32	64.3	2.681			.075		2.706	.078	.188	.470	.093	.093	9660
UHO-256	2.562	2-9/16	65.1	2.714			.076		2.739	.093	.188	.530	.093	.093	9910
UHO-262	2.625	2-5/8	66.7	2.781	+/- .006	.078	.2806	+ .080	.093	.188	.530	.093	.093	10420	
UHO-268	2.677	-	68.0	2.837			.080		2.868	.093	.188	.530	.093	.093	10900
UHO-268	2.688	2-11/16	68.3	2.848			.080		2.868	.093	.188	.560	.093	.093	10900
UHO-275	2.750	2-3/4	69.8	2.914	+ .005	.082	.2944	- .000	.093	.188	.590	.093	.093	11470	
UHO-281	2.812	2-13/16	71.4	2.980			.084		3.025	.093	.188	.590	.093	.093	12200
UHO-281	2.835	-	72.0	3.005			.085		3.025	.093	.188	.660	.093	.093	12200
UHO-287	2.875	2-7/8	73.0	3.051	- .000	.088	.3086	+ .100	.093	.203	.620	.100	.093	12870	
UHO-295	2.953	-	75.0	3.135			.091		3.175	.093	.203	.620	.100	.093	13480
UHO-300	3.000	3	76.2	3.182			.091		3.222	.093	.203	.620	.100	.093	13890
UHO-306	3.062	3-1/16	77.8	3.248	+ .005	.093	.3288	- .000	.109	.218	.650	.109	.125	14490	
UHO-312	3.125	3-1/8	79.4	3.315			.095		3.353	.109	.218	.650	.109	.125	15110
UHO-315	3.149	-	80.0	3.341			.096		3.388	.109	.218	.650	.109	.125	15420
UHO-315	3.156	3-5/32	80.2	3.348	+ .005	.096	.3388	- .000	.109	.218	.680	.109	.125	15420	
UHO-325	3.250	3-1/4	82.5	3.446			.098		3.488	.109	.218	.680	.109	.125	16210
UHO-334	3.346	3-11/32	85.0	3.546			.100		3.590	.109	.218	.680	.109	.125	17030
UHO-347	3.469	3-15/32	88.1	3.675	- .000	.103	.3721	+ .100	.109	.234	.710	.120	.125	18190	
UHO-350	3.500	3-1/2	88.9	3.710			.105		3.760	.109	.234	.710	.120	.125	18700
UHO-354	3.543	-	90.0	3.755			.106		3.805	.109	.234	.740	.120	.125	19400
UHO-354	3.562	3-9/16	90.5	3.776	+ .005	.107	.3805	- .000	.109	.234	.810	.120	.125	19400	

*溝装着時

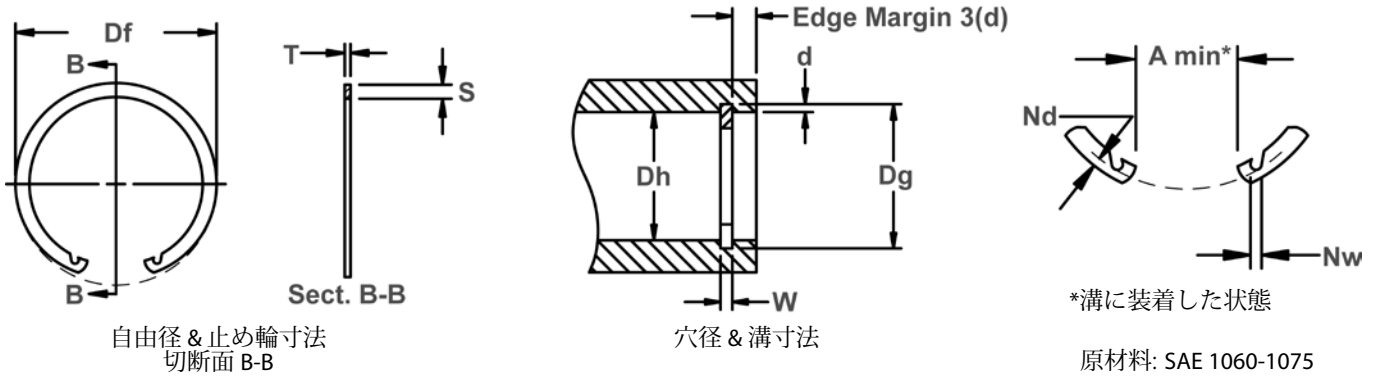
単位: inch

原材料: カーボン・スプリング・スチール (SAE 1060/1075)

硬さ	止め輪サイズ		HRC
	175 ~ 700		45 ~ 52
	725 ~ 1000		40 ~ 47

その他の先端部形状をご希望の場合は、japan@rotorclip.comまでお問い合わせ下さい。





止め輪 番号	穴径			溝寸法				止め輪寸法					許容 静止時 荷重 (Lbs.)			
				溝径		溝巾 W	深さ d	自由径		板厚 T	板幅 S	間隙径 A 最小*		ノッチ寸法		
	Dh DEC	Dh FRACT.	Dh mm	Dg	公差			Df	公差					Nd +0/-0.030	Nw 参考	
UHO-362	3.625	3-5/8	92.1	3.841	+/-0.006	.120 +.005 -.000	.108	3.895	+.100 -.000	+.002	+.005	.740	.120	.125	19930	
UHO-375	3.740	-	95.0	3.964			.112	4.030		.109	.234	.250	.740	.125	.125	21380
UHO-375	3.750	3-3/4	95.2	3.974			.112	4.030		.109	.250	.780	.125	.125	21380	
UHO-387	3.875	3-7/8	98.4	4.107			.116	4.165		.109	.250	.780	.125	.125	22880	
UHO-393	3.938	3-15/16	100.0	4.174			.118	4.234		.109	.250	.810	.125	.125	23650	
UHO-400	4.000	4	101.6	4.240			.120	4.300		.109	.250	.810	.125	.125	24430	
UHO-412	4.125	4-1/8	104.8	4.365			.120	4.430		.109	.250	.810	.125	.125	25190	
UHO-425	4.250	4-1/4	108.0	4.490			.120	4.555		.109	.250	.810	.125	.125	25960	
UHO-433	4.331	-	110.0	4.571			.120	4.641		.109	.250	.810	.125	.125	26450	
UHO-450	4.500	4-1/2	114.3	4.740			.120	4.815		.109	.281	.840	.140	.156	27490	
UHO-462	4.625	4-5/8	117.5	4.865			.120	4.940		.109	.281	.840	.140	.156	28250	
UHO-475	4.724	-	120.0	4.969			.122	5.070		.109	.281	.840	.140	.156	29000	
UHO-475	4.750	4-3/4	120.6	4.995	.122	5.070	.109	.281	.910	.140	.156	29000				
UHO-500	5.000	5	127.0	5.260	.130	5.340	.109	.281	.930	.140	.156	33100				
UHO-525	5.250	5-1/4	133.3	5.520	.135	5.600	.125	.312	1.000	.156	.156	36070				
UHO-537	5.375	5-3/8	136.5	5.650	.135	5.735	.125	.312	1.000	.156	.156	36930				
UHO-550	5.500	5-1/2	139.7	5.770	.135	5.860	.125	.312	1.000	.156	.156	37790				
UHO-575	5.750	5-3/4	146.0	6.020	.135	6.120	.125	.312	1.000	.156	.156	39500				
UHO-600	6.000	6	152.4	6.270	.135	6.380	.125	.312	1.000	.156	.156	41220				
UHO-625	6.250	6-1/4	158.7	6.530	.140	6.640	.156	.343	1.030	.171	.156	44530				
UHO-650	6.500	6-1/2	165.1	6.790	.145	6.905	.156	.343	1.090	.171	.156	47970				
UHO-662	6.625	6-5/8	168.3	6.925	.150	7.045	.156	.343	1.120	.171	.156	50580				
UHO-675	6.750	6-3/4	171.4	7.055	.152	7.180	.156	.343	1.130	.171	.156	52220				
UHO-700	7.000	7	177.8	7.315	.157	7.445	.156	.343	1.140	.171	.156	55930				
UHO-725	7.250	7-1/4	184.1	7.575	.162	7.705	.187	.375	1.140	.187	.187	59700				
UHO-750	7.500	7-1/2	190.5	7.840	.170	7.975	.187	.375	1.150	.187	.187	64900				
UHO-775	7.750	7-3/4	196.8	8.100	.175	8.240	.187	.375	1.160	.187	.187	68700				
UHO-800	8.000	8	203.2	8.360	.180	8.505	.187	.437	1.200	.218	.187	72900				
UHO-825	8.250	8-1/4	209.5	8.620	.185	8.770	.187	.437	1.230	.218	.187	77600				
UHO-850	8.500	8-1/2	215.9	8.880	.190	9.035	.187	.437	1.270	.218	.187	81800				
UHO-875	8.750	8-3/4	222.2	9.144	.197	9.305	.187	.437	1.320	.218	.187	87300				
UHO-900	9.000	9	228.6	9.404	.202	9.564	.187	.437	1.370	.218	.187	92400				
UHO-925	9.250	9-1/4	235.0	9.668	.209	9.833	.187	.500	1.400	.250	.187	98000				
UHO-950	9.500	9-1/2	241.3	9.930	.215	10.100	.187	.500	1.500	.250	.187	103900				
UHO-975	9.750	9-3/4	247.7	10.190	.220	10.365	.187	.500	1.620	.250	.187	10900				
UHO-1000	10.000	10	254.0	10.450	.225	10.630	.187	.500	1.750	.250	.187	114600				

単位: inch

*溝装着時。

その他の先端部形状をご希望の場合は、japan@rotorclip.comまでお問い合わせ下さい。

