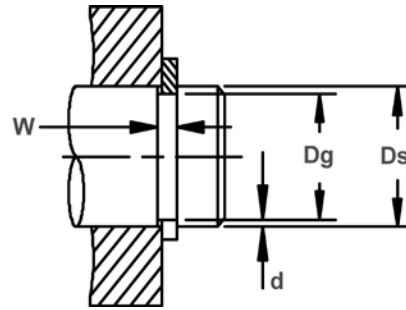
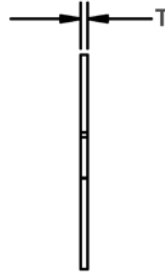


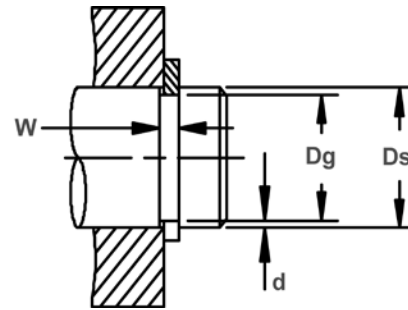
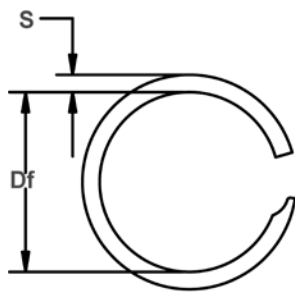
自由径 & 止め輪寸法



軸径 & 溝寸法

止め輪 番号	軸径 (In.)	溝寸法					止め輪寸法					荷重 (lbs.)		
		溝径		溝巾		深さ	自由径		板厚		板幅		止め輪 安全率 (=3)	溝 安全率 (=2)
		Ds	Dg	公差	W	公差	d	Df	公差	T	公差	S	公差	
CL-50	.500	.472		.022		.014	.467		.018		.045		1300	500
CL-56	.562	.534	+ .002	.022		.014	.529		.018		.045		1460	560
CL-62	.625	.597	- .002	.022		.014	.591		.018		.045		1630	620
CL-68	.687	.659		.022		.014	.652	+ .000	.018		.045		1790	680
CL-75	.750	.722		.022		.014	.715	- .013	.018		.045		1950	740
CL-81	.812	.770		.026		.021	.762		.021		.065		2460	1210
CL-87	.875	.833	+ .003	.026		.021	.825		.021		.065		2660	1300
CL-93	.937	.895	- .003	.026	+ .002	.021	.886		.021	+ .0015	.065		2840	1390
CL-100	1.000	.958		.026	- .000	.021	.949		.021	- .0015	.065		3040	1480
CL-106	1.062	1.018		.031		.022	1.008		.025		.088		3500	1650
CL-112	1.125	1.081		.031		.022	1.071		.025		.088		3710	1750
CL-118	1.187	1.143		.031		.022	1.132		.025		.088		3920	1850
CL-125	1.250	1.206	+ .004	.031		.022	1.194	+ .000	.025		.088		4120	1940
CL-131	1.312	1.268	- .004	.031		.022	1.255	- .015	.025		.088		4330	2040
CL-137	1.375	1.331		.031		.022	1.318		.025		.088		4540	2140
CL-143	1.437	1.393		.031		.022	1.379		.025		.088		4740	2240
CL-150	1.500	1.456		.031		.022	1.442		.025		.088		4950	2330
CL-156	1.562	1.505		.039		.029	1.488		.031		.118	+ .004	6390	3200
CL-162	1.625	1.568		.039		.029	1.550		.031		.118	- .004	6650	3330
CL-168	1.687	1.630		.039		.029	1.612		.031		.118		6900	3460
CL-175	1.750	1.693	+ .005	.039		.029	1.674	+ .000	.031		.118		7160	3590
CL-181	1.812	1.755	- .005	.039		.029	1.736	- .020	.031		.118		7410	3710
CL-187	1.875	1.818		.039		.029	1.798		.031		.118		7670	3840
CL-193	1.937	1.880		.039		.029	1.859		.031		.118		7920	3970
CL-200	2.000	1.943		.039		.029	1.922		.031		.118		8180	4100
CL-206	2.062	1.986		.039		.038	1.963		.031		.158		8430	5540
CL-212	2.125	2.049		.039		.038	2.026		.031		.158		8690	5710
CL-218	2.187	2.111		.039		.038	2.087		.031		.158		8950	5870
CL-225	2.250	2.174		.039		.038	2.149		.031	+ .002	.158		9200	6040
CL-231	2.312	2.236		.039	+ .003	.038	2.211		.031	- .002	.158		9460	6210
CL-237	2.375	2.299		.039	- .000	.038	2.273		.031		.158		9720	6380
CL-243	2.437	2.361		.039		.038	2.335	+ .000	.031		.158		9970	6550
CL-250	2.500	2.424		.039		.038	2.397	- .025	.031		.158		10230	6720
CL-256	2.562	2.486	+ .006	.039		.038	2.458		.031		.158		10480	6880
CL-262	2.625	2.549	- .006	.039		.038	2.521		.031		.158		10740	7050
CL-268	2.687	2.611		.039		.038	2.582		.031		.158		10990	7220
CL-275	2.750	2.674		.039		.038	2.644		.031		.158		11250	7390
CL-281	2.812	2.736		.039		.038	2.706		.031		.158		11500	7550
CL-287	2.875	2.799		.039		.038	2.768		.031		.158		11760	7720
CL-293	2.937	2.861		.039		.038	2.830		.031		.158		12010	7890
CL-300	3.000	2.924		.039		.038	2.892		.031		.158		12270	8060
CL-306	3.062	2.970		.044		.046	2.938	+ .000	.039		.188	+ .005	15760	9960
CL-312	3.125	3.033		.044		.046	3.001	- .030	.039		.188	- .005	16080	10160

単位: inch



自由径 & 止め輪寸法

軸径 & 溝寸法

止め輪 番号	軸径 (In.)	溝寸法					止め輪寸法						荷重 (lbs.)	
		溝径		溝巾		深さ	自由径		板厚		板幅		止め輪 安全率 (=3)	溝 安全率 (=2)
		Dg	公差	W	公差	d	Df	公差	T	公差	S	公差		
CL-318	3.187	3.095	+.006 -.006	.044	+.003 -.000	.046	3.062	+.000 -.030	.039	+.002 -.002	.188	+.005 -.005	16400	10360
CL-325	3.250	3.158		.044		.046	3.125		.039		.188		16720	10570
CL-331	3.312	3.220		.044		.046	3.186		.039		.188		17040	10770
CL-337	3.375	3.283		.044		.046	3.248		.039		.188		17370	10970
CL-343	3.437	3.345		.044		.046	3.310		.039		.188		17690	11180
CL-350	3.500	3.408		.044		.046	3.372		.039		.188		18010	11380
CL-356	3.562	3.47		.044		.046	3.433		.039		.188		18330	11580
CL-362	3.625	3.533		.044		.046	3.496		.039		.188		18650	11790
CL-368	3.687	3.595		.044		.046	3.557		.039		.188		18970	11990
CL-375	3.750	3.658		.044		.046	3.620		.039		.188		19300	12190
CL-381	3.812	3.720	.044	.046	3.681	.039	.188	19620	12400					
CL-387	3.875	3.783	.044	.046	3.743	.039	.188	19940	12600					
CL-393	3.937	3.845	.044	.046	3.805	.039	.188	20260	12800					
CL-400	4.000	3.908	.044	.046	3.867	.039	.188	20580	13010					
CL-412	4.125	4.015	.052	.055	3.973	.046	.225	23850	16040					
CL-425	4.250	4.140	.052	.055	4.097	.046	.225	24570	16520					
CL-437	4.375	4.265	.052	.055	4.221	.046	.225	25290	17010					
CL-450	4.500	4.390	.052	.055	4.345	.046	.225	26010	17500					
CL-462	4.625	4.515	.052	.055	4.468	.046	.225	26740	17980					
CL-475	4.750	4.640	.052	.055	4.592	.046	.225	27460	18470					
CL-487	4.875	4.765	.052	.055	4.715	.046	.225	28180	18950					
CL-500	5.000	4.890	.052	.055	4.839	.046	.225	28900	19440					
CL-525	5.250	5.119	.067	.066	5.067	.061	.225	40240	24490					
CL-550	5.500	5.363	.067	.069	5.309	.061	.225	42160	26830					
CL-575	5.750	5.606	.067	.072	5.550	.061	.225	44080	29260					
CL-600	6.000	5.850	.067	.075	5.792	.061	.225	45990	31810					
CL-625	6.250	6.094	.067	.078	6.033	.061	.265	47910	34460					
CL-650	6.500	6.338	.067	.081	6.275	.061	.265	49830	37220					
CL-675	6.750	6.581	.067	.085	6.515	.061	.265	51740	40560					
CL-700	7.000	6.825	.067	.088	6.757	.061	.265	53660	43540					
CL-725	7.250	7.069	.067	.091	6.998	.061	.300	55580	46640					
CL-750	7.500	7.313	.067	.094	7.240	.061	.300	57490	49830					
CL-775	7.750	7.556	.067	.097	7.480	.061	.300	59410	53140					
CL-800	8.000	7.800	.067	.100	7.722	.061	.300	61320	56550					
CL-825	8.250	8.044	.082	.103	7.964	.076	.345	78790	60070					
CL-850	8.500	8.288	.082	.106	8.205	.076	.345	81180	63690					
CL-875	8.750	8.531	.082	.110	8.446	.076	.345	83570	68040					
CL-900	9.000	8.775	.082	.113	8.687	.076	.345	85950	71890					
CL-925	9.250	9.019	.082	.116	8.929	.076	.345	88340	75850					
CL-950	9.500	9.263	.082	.119	9.170	.076	.345	90730	79910					
CL-975	9.750	9.506	.082	.122	9.411	.076	.345	93120	84080					
CL-1000	10.000	9.750	.082	.125	9.653	.076	.345	95500	88360					

単位: inch

