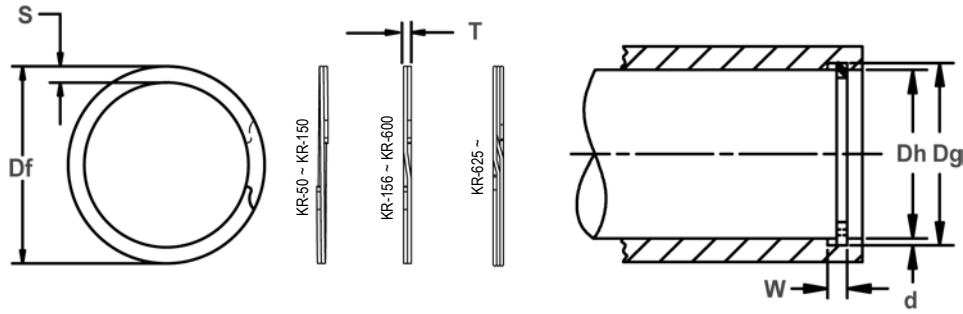




KR 穴用スパイラルリング

穴用 中・重荷重用
 荷重負担能力が重荷重用シリーズに近く
 また溝寸法もほぼ同じである。
 着脱が簡単で、非常に高い荷重に対応。



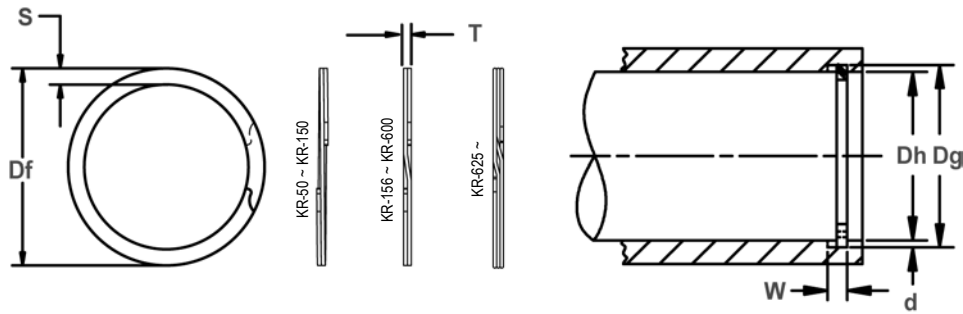
自由径 & 止め輪寸法

穴径 & 溝寸法

止め輪 番号	穴径 (In.) Dh	溝寸法					止め輪寸法						荷重 (lbs.)	
		溝径		溝巾		深さ	自由径		板厚		板幅		止め輪 安全率 (=3)	溝 安全率 (=2)
		Dg	公差	W	公差	d	Df	公差	T	公差	S	公差		
KR-50	.500	.524	+.002/-0.002	.039		.012	.529		.035		.045		2530	420
KR-51	.512	.536	+.003 -.003	.039	+.003 -.000	.012	.541	+.013 -.000	.035	+.002 -.002	.045	+.004 -.004	2590	430
KR-56	.562	.592		.039		.015	.597		.035		.045		2840	600
KR-62	.625	.659		.039		.017	.665		.035		.045		3160	750
KR-68	.688	.724		.039		.018	.730		.035		.055		3480	880
KR-75	.750	.790		.039		.020	.796		.035		.055		3790	1060
KR-77	.777	.819		.046		.021	.825		.042		.065		4720	1150
KR-81	.812	.857		.046		.023	.864		.042		.065		4930	1320
KR-86	.866	.912		.046		.023	.919		.042		.065		5260	1410
KR-87	.875	.922		.046		.024	.929		.042		.065		5310	1480
KR-90	.901	.950		.046		.025	.957		.042		.065		5470	1590
KR-93	.938	.989	.046	.026	.997	.042	.075	5690	1720					
KR-100	1.000	1.055	.046	.028	1.063	.042	.075	6070	1980					
KR-102	1.023	1.079	.046	.028	1.087	.042	.075	6210	2030					
KR-106	1.062	1.120	.056	.029	1.129	.050	.078	7010	2180					
KR-112	1.125	1.185	.056	.030	1.195	.050	.078	7420	2390					
KR-118	1.188	1.250	.056	.031	1.260	.050	.088	7840	2600					
KR-125	1.250	1.320	.056	.035	1.330	.050	.093	8250	3090					
KR-131	1.312	1.385	.056	.037	1.395	.050	.093	8660	3430					
KR-137	1.375	1.450	.056	.038	1.461	.050	.098	9070	3690					
KR-143	1.438	1.515	.056	.039	1.526	.050	.103	9490	3960					
KR-145	1.456	1.535	.056	.040	1.546	.050	.108	9610	4120					
KR-150	1.500	1.580	.056	.040	1.591	.050	.108	9900	4240					
KR-156	1.562	1.647	.068	.043	1.659	.062	.113	12780	4750					
KR-162	1.625	1.715	.068	.045	1.727	.062	.113	13290	5170					
KR-165	1.653	1.745	.068	.046	1.757	.062	.118	13520	5380					
KR-168	1.688	1.780	.068	.046	1.793	.062	.118	13810	5490					
KR-175	1.750	1.845	.068	.048	1.858	.062	.118	14320	5940					
KR-181	1.812	1.910	.068	.049	1.923	.062	.123	14820	6280					
KR-185	1.850	1.949	.068	.050	1.963	.062	.123	15130	6540					
KR-187	1.875	1.975	.068	.050	1.989	.062	.128	15340	6630					
KR-193	1.938	2.040	.068	.051	2.054	.062	.128	15850	6990					
KR-200	2.000	2.110	.068	.055	2.125	.062	.138	16360	7780					
KR-206	2.062	2.175	.086	.057	2.190	.078	.141	21220	8310					
KR-212	2.125	2.240	.086	.058	2.255	.078	.141	21870	8710					
KR-218	2.188	2.305	.086	.059	2.321	.078	.141	22520	9130					
KR-225	2.250	2.370	.086	.060	2.386	.078	.141	23160	9540					
KR-231	2.312	2.440	.086	.064	2.457	.078	.188	23800	10460					
KR-237	2.375	2.505	.086	.065	2.522	.078	.188	24440	10910					
KR-244	2.440	2.570	.086	.065	2.588	.078	.188	25110	11210					
KR-250	2.500	2.635	.086	.068	2.653	.078	.188	25730	12020					
KR-253	2.531	2.668	.086	.069	2.687	.078	.188	26050	12350					
KR-256	2.562	2.700	.103	.069	2.720	.093	.188	29940	12500					
KR-262	2.625	2.765	.103	.070	2.785	.093	.188	30680	12990					
KR-268	2.688	2.834	.103	.073	2.855	.093	.188	31410	13870					
KR-275	2.750	2.900	.103	.075	2.921	.093	.188	32140	14580					
KR-281	2.813	2.965	.103	.076	2.987	.093	.188	32880	15110					
KR-283	2.834	2.987	.103	.077	3.009	.093	.188	33120	15430					

単位: inch





自由径 & 止め輪寸法

穴径 & 溝寸法

止め輪 番号	穴径		溝寸法				止め輪寸法				荷重 (lbs.)	
	Dh (In.)	Dg	溝径		深さ d	自由径 Df	板厚		板幅		止め輪 安全率 (=3)	溝 安全率 (=2)
			溝径	溝巾 W			公差	公差	T	公差		
KR-287	2.875	3.030		.103	.078	3.053	+.025	.093		.188	33600	15850
KR-300	3.000	3.165		.103	.083	3.188	-.000	.093		.188	35060	17600
KR-306	3.062	3.230		.120	.084	3.253		.111		.250	42710	18180
KR-312	3.125	3.295		.120	.085	3.318		.111		.250	43590	18780
KR-315	3.156	3.328		.120	.086	3.354		.111		.250	44040	19190
KR-325	3.250	3.426		.120	.088	3.450		.111		.250	45330	20220
KR-334	3.346	3.525		.120	.090	3.550		.111		.250	46670	21290
KR-346	3.464	3.650		.120	.093	3.675		.111		.250	48320	22770
KR-350	3.500	3.690		.120	.095	3.716	+.030	.111		.250	48820	23500
KR-354	3.543	3.735	+.006	.120	.096	3.761	-.000	.111	+.003	.250	49420	24040
KR-356	3.562	3.756	-.006	.120	.097	3.783		.111	-.003	.250	49690	24420
KR-362	3.625	3.822		.120	.099	3.849		.111		.250	50560	25370
KR-375	3.750	3.955		.120	.103	3.982		.111		.250	52310	27300
KR-387	3.875	4.087		.120	.106	4.115		.111		.250	54050	29030
KR-393	3.938	4.150		.120	.106	4.178		.111		.250	54930	29510
KR-400	4.000	4.220		.120	.110	4.248		.111		.250	55800	31100
KR-412	4.125	4.345		.120	.110	4.373		.111		.312	57540	32070
KR-425	4.250	4.470		.120	.110	4.500		.111		.312	59280	33050
KR-433	4.330	4.556		.120	.113	4.586	+.035	.111		.312	60400	34590
KR-450	4.500	4.735		.120	.118	4.768	-.000	.111		.312	62770	37530
KR-462	4.625	4.865		.120	.120	4.897		.111		.312	64510	39230
KR-475	4.750	4.995		.120	.123	5.028		.111		.312	66260	41300
KR-500	5.000	5.260		.120	.130	5.295		.111		.312	69740	45950
KR-525	5.250	5.520		.139	.135	5.559		.127		.375	83790	50100
KR-537	5.375	5.645	+.007	.139	.135	5.685	+.045	.127	+.004	.375	85780	51290
KR-550	5.500	5.770	-.007	.139	.135	5.810	-.000	.127	-.004	.375	87780	52480
KR-575	5.750	6.020		.139	.135	6.062		.127		.375	91770	54870
KR-600	6.000	6.270		.139	.135	6.314		.127		.375	95760	57260
KR-625	6.250	6.530		.174	.140	6.576		.165		.312	129590	61850
KR-650	6.500	6.790		.174	.145	6.837	+.055	.165		.312	134780	66620
KR-662	6.625	6.925		.174	.150	6.973	-.000	.165		.312	137370	70240
KR-675	6.750	7.055		.174	.153	7.104		.165		.312	139960	73000
KR-700	7.000	7.315		.174	.158	7.366		.165		.312	145140	78180
KR-725	7.250	7.575		.209	.163	7.628		.189		.375	172190	83530
KR-750	7.500	7.840		.209	.170	7.895		.189		.375	178130	90120
KR-775	7.750	8.100	+.008	.209	.175	8.156		.189	+.005	.375	184070	95870
KR-800	8.000	8.360	-.008	.209	.180	8.418		.189	-.005	.375	190000	101790
KR-825	8.250	8.620		.209	.185	8.680		.189		.375	195940	107880
KR-850	8.500	8.880		.209	.190	8.942		.189		.375	201880	114160
KR-875	8.750	9.145		.209	.198	9.209	+.070	.189		.375	207820	122460
KR-900	9.000	9.405		.209	.203	9.471	-.000	.189		.375	213750	129140
KR-925	9.250	9.669		.209	.210	9.736		.189		.375	219690	137310
KR-950	9.500	9.930		.209	.215	9.999		.189		.375	225630	144380
KR-975	9.750	10.189		.209	.220	10.260		.189		.375	231570	151620
KR-1000	10.000	10.450		.209	.225	10.552		.189		.375	237500	159040
KR-1050	10.500	10.970		.209	.235	11.072		.189		.375	249380	174420